

# OBTAIN IMPRESSIVE IMAGES

Match RiX70 DC high frequency X-Ray generator with any of the Trident image receptors and get more than you could have ever imagined.



Trident phosphor plates

I-View Gold CMOS sensor

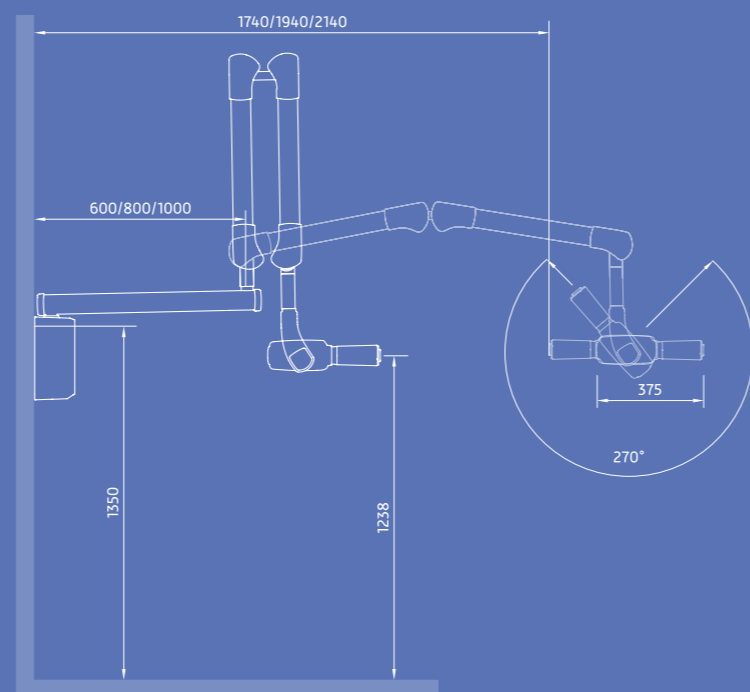
I-View Silver CMOS sensor

## WHAT'S THE SENSE OF DC?

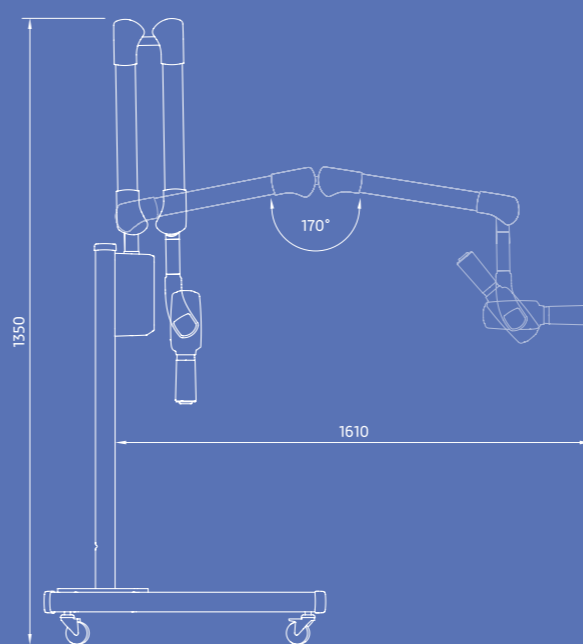
DC means amazing results with all the advantages of the latest electronic technology: rather than using alternating current, RiX70 DC applies a nearly constant potential to the tube. This constant potential supplies the tube with DC current, resulting in a constant stream of consistent radiation that maintains the preset kV values even with mains fluctuations.

SYSTEM SUPPLY		
Supply Voltage	AC100-240V	
Frequency	50/60 Hz	
Electric current	2.7 A @ 240V , 6.4 A @ 100V	
Max Power Consumption	640VA (3 AT fuse)	
X-RAY GENERATOR		
Tube Voltage	60 kVp ± 8% - 65 kVp ± 8% - 70 kVp ± 8%	
Frequency	75 kHz	
Anodic current	7 mA ± 10%	
Output radiation linearity	< 0.2 according to IEC 60601-2-63	
Duty cycle	1:30	
Nominal power	490 W (70 kVp - 7 mA)	
Total filtration	1.5 mm Al eq. @ 70 kVp	
Focal spot	0.4 mm (IEC 60336)	
Leakage radiation at 1 m	< 0.1 mGy/h	
Max thermal capacity of monoblock	130J (convection oil bath cooling)	
Distance focus to skin	20 cm	
Beam diameter X Ray at 200 mm	60mm (optional 36 x 45 mm rectangular collimator)	
X-RAY TUBE		
Manufacturer	Canon	Skan X - CEI (Italy)
Model	D-045	OX70-4
Inherent filtration	< 1 mm Al eq.	0.5 mm Al eq.
Filament current	Max. 3 A	1.5 - 2.1 A
Focal spot	0.4 IEC 60336:2005	
Target material	Tungsten	
Max nominal voltage	70 kV	

WALL MOUNTED VERSION



MOBILE VERSION



### Trident S.r.l.

Via Artigiani, 4 25014 Castenedolo  
Phone +39 030 2732485  
info@trident-dental.com

[www.trident-dental.com](http://www.trident-dental.com)

TDD4-EN-RI-RiX70 DC

## RiX70 DC High frequency intraoral X-Ray generator

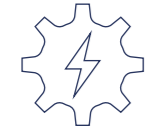


Discover a world of images

trident

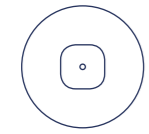
trident

## INSIDE RiX70 DC



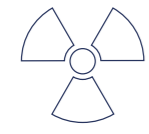
### AUTOMATIC VOLTAGE TRANSFORMER

RiX70 DC appropriately works in a range of 100 to 240 V. The electrical system automatically detects the power wattage, allowing a safe and proper functioning with every voltage.



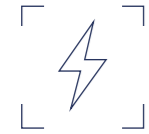
### 0.4 MM FOCAL SPOT

The base for an accurate diagnostic is a good image. RiX70 DC with focal spot 0,4 mm gives you incredibly clear images with a high contrast range.



### REDUCTION OF RADIATION DOSE

The high frequency generator allows radiation stability eliminating the soft radiation that does not produce images but can be harmful for the patient.



### TUBE VOLTAGE SELECTOR

RiX70 DC operates either 60, 65 or 70 kV allowing to reach excellent results to satisfy your needs: Voltage 60 kV for caries detection or periodontal applications; 70 kV for endodontic applications, including visualization of canals, detection of root fractures and diagnosis of periapical lesions due to pulpal inflammation.



### AUTOMATIC SETTING OF EXPOSURE TIME

From 0.01 to 2.0 seconds, depending on the patient and tooth characteristics

## FOR BETTER RESULTS, YOU CAN EASILY:

- Select the exposure parameters according to the patient morphology, tooth type and image receptor.
- Adapt the radiation dose to lower or higher values.
- Modify the exposure time for digital or film.

Discover a world of images

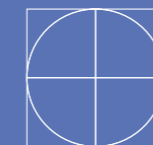
## OPTIONAL



35x43 mm  
RECTANGULAR COLLIMATOR

REMOTE  
TIMER

Install the remote timer outside the X-ray room. Conveniently set the exposure parameters, type of tooth, patient and image receptor and, safely shoot the X-ray. Only available for the wall mounted version. All local command devices are not necessary (control with coiled cord and the small keypad in the tube head support)



## MODERN DESIGN FOR PRACTICAL OPERATION

- Compact and light tubehead.
- Steady and strong support arm.
- Hand switch with 3 mt coiled cord.
- Additional keypad installed near the tube head, for manual adjustment of the exposure time and tooth type.
- Easy-to-read main control panel, with quickly identifiable icons.
- Easy and fast installation system.
- Available in wall mounted and mobile version.
- Length of the arm 60 and 80 cm.

MOBILE



WALL MOUNTED



trident